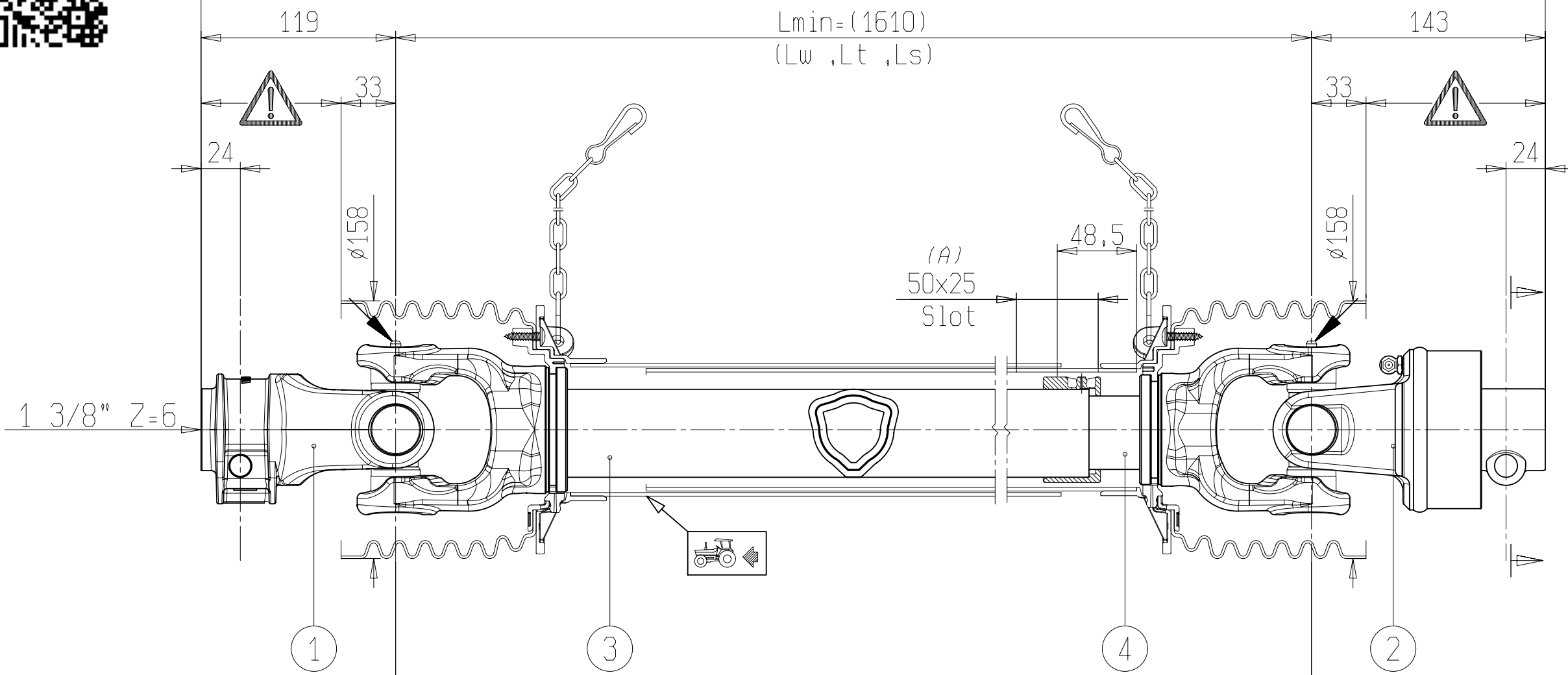




Lmin=(1872)

Lmin=(1610)
(Lw ,Lt ,Ls)



WARNING!

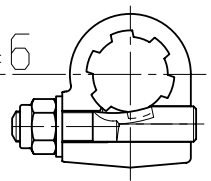
SECTIONS OF THE ASSEMBLY MARKED ARE NOT SHIELDED AND MUST BE SHIELDED BY AN INTERACTIVE GUARDING SYSTEM. BONDIOLI & PAVESI DECLINES RESPONSIBILITY IF PROPER GUARDS ARE NOT PROVIDED OR MAINTAINED.

INGRASSAGGIO ACCESSIBILE A L=1610

Grease fitting exposed at L=1610

CENTRATURA SECONDO FIUT-07 GRADO 3
Straightening according to FIUT-07 grado 3

1 3/8" Z=6



1 CODICE CODE 007		LATO TRATTORE TRACTOR SIDE	LATO MACCHINA IMPLEMENT SIDE	TIPO-TYPE G7	A Era attacco 096; era foro ø25		D.Montanari	2/4/2019
2 CODICE CODE 601106601R RA1 (A)				CLIENTE / CUSTOMER 3600502 DaniTech A/S	Rev. Descrizione Modifica		Operatore	Data
3 L=1410		30,2	30,2	DATA / DATE 19/2/2019	DISEGNATO / DESIGNED BY D.Montanari		RIF. CLIENTE / CUSTOMER REF.	
4 RILSAN L=1450		91,5	91,5	LUNGEZZA MAX IN LAVORO MAX WORKING LENGTH Lw=2294	TIPO DI MACCHINA / TYPE OF IMPLEMENT TRG7R161004			
VELOCITA' MAX MAX SPEED 540 min ⁻¹		M max 2900 Nm		LUNGEZZA MAX TEMPORANEA MAX TEMPORARY LENGTH Lt=2522	NOTE / NOTES SPECIALE PER: CONTROLLO ALLUNGAMENTO; CENTRATURA; DIRECT GREASING; POS.2			